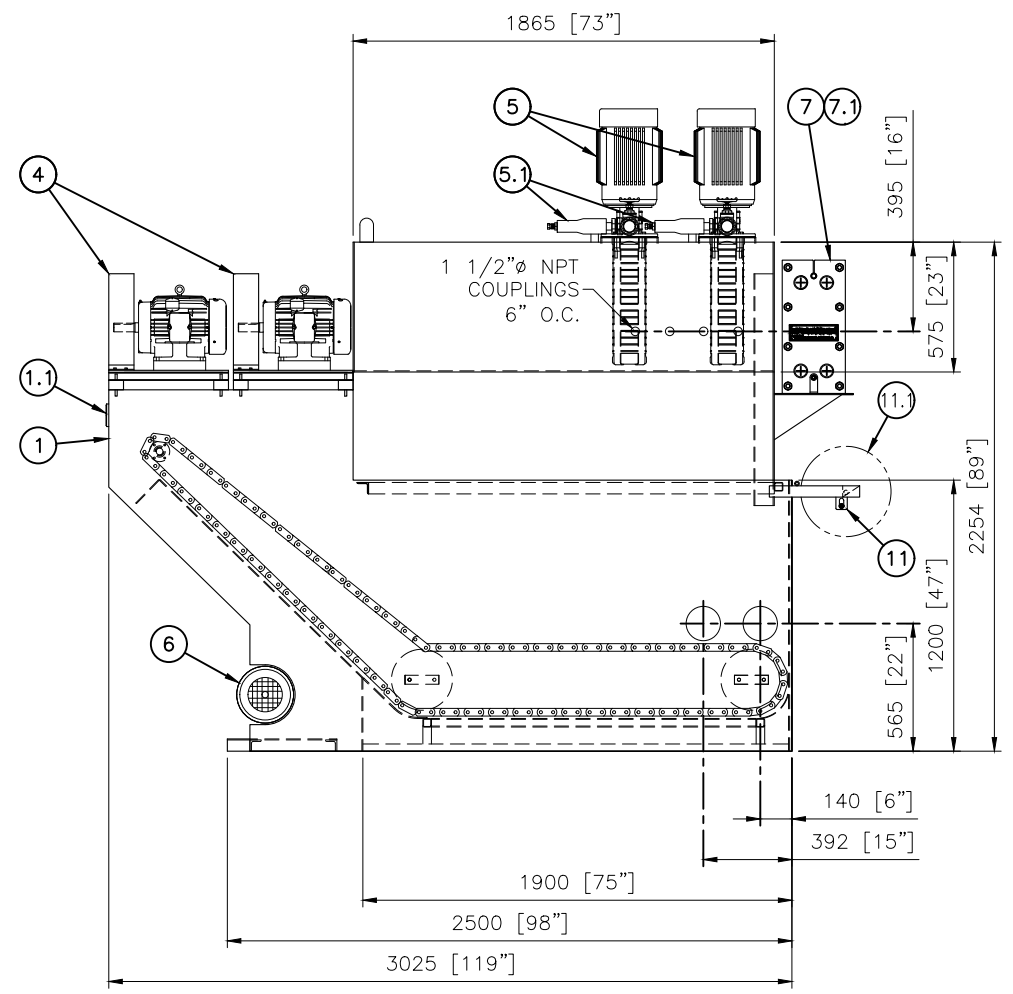
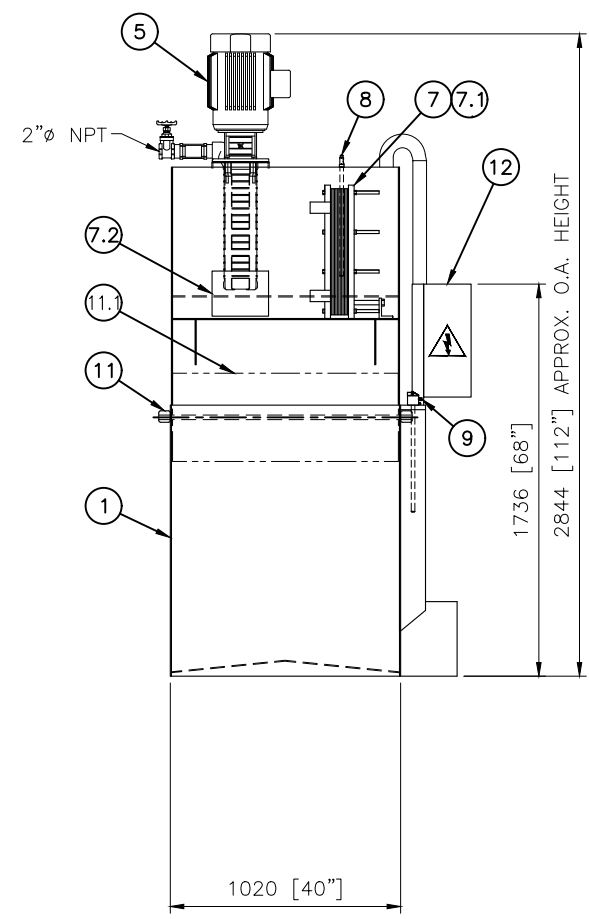


PLAN VIEW



ELEVATION VIEW



END VIEW

BILL OF MATERIAL

ITEM	QTY	DESCRIPTION
1	ONE	TANK CONSTRUCTION ASSEMBLY
1.1	ONE	MACHINED NAMEPLATE
2	ONE	TRANSPORT GEAR MOTOR - NORD #SK12063AZ-71L/4 CUS
3	ONE	1 1/2"Ø VACUUM BREAK VALVE - HAYWARD #EAU2924D
4	2	WHEEL CLEANING PUMP - HYDRACELL #H25XKCGHFECA RATED 8 GPM @ 1000 PSI; 7.5 HP
4.1	2	PRESSURE RELIEF VALVE - WANNER #C62-ABBSSEF
5	2	FEED PUMP - GRUNDFOS #MTR10-16/16 A-WB-A-HUUV RATED 35 GPM @ 300 PSI; 15 HP
5.1	2	PRESSURE RELIEF VALVE - STRAVAL #BPS05-10T
6	ONE	FILTER PUMP - IDP #D824 3 x 2 x 10F; 5 HP
7	ONE	HEAT EXCHANGER - TRANTER #GLD-013-H-5-NR-12
7.1	ONE	1"Ø SOLENOID VALVE - ASCO #B210G0S4
7.2	ONE	HEAT EXCHANGER PUMP - GOULDS NPE #1ST2C5A4
8	ONE	CLEAN TANK LEVEL SWITCH - EFECTOR #LI5143
9	ONE	DIRTY TANK LEVEL SWITCH - EFECTOR #LK1024
10	ONE	VACUUM SWITCH - EFECTOR #PN7009
11	ONE	MEDIA STAND W/LOW MEDIA SENSOR - GAVAZZI #PS31L-NT21R1-M00
11.1	ONE	FILTER MEDIA ROLL - HOFFMANN #X4000-39160
12	ONE	CONTROL PANEL

FILTER FLOW RATE: UP TO 40 GPM	COOLANT: WATER SOLUBLE
INLET SIZE: 6"Ø (x2)	INLET HEIGHT: 565mm [22"]
VOLTAGE: 480V / 60Hz	COLOR: CAMPBELL BLUE
CUSTOMER: DELTA AIR LINES	FILL VOLUME: APPROX. 500 GAL.
CUSTOMER SIGNATURE:	CUSTOMER PART NUMBER: --
	DATE:

- NOTE:
1. INTERCONNECTING PIPING & ELECTRICAL BETWEEN FILTER & MACHINE IS BY OTHERS.
  2. METRIC DIMENSIONS ARE EXACT
  3. ENGLISH DIMENSIONS ARE ROUNDED TO NEAREST INCH.
  4. FILL VOLUME CALCULATED WITHIN 10%

**HOFFMAN FILTER CORPORATION**

7627 KENSINGTON COURT BRIGHTON, MI 48116  
 PHONE: 248.486.8430 FAX: 248.486.8439  
 EMAIL: info@hoffmannfilter.com  
 www.hoffmannfilter.com

TITLE: SUCTION BAND FILTER - GENERAL ARRANGEMENT  
 TYPE: UBF 150 - DELTA AIR LINES

NO.	DESCRIPTION	DATE
A	--	--
B		
C		
D		
E		
F		
G		

DRAWN BY: A.A./NRH SCALE: -- SHIT: 1 OF 1  
 CHK'D: -- DATE: 10-17-15 DRAWING NO. 15098043M-01  
 APP'D: -- SERIAL NO. 15.0098.043